

ZY142 Series

Permanent Magnet Brush DC Motors

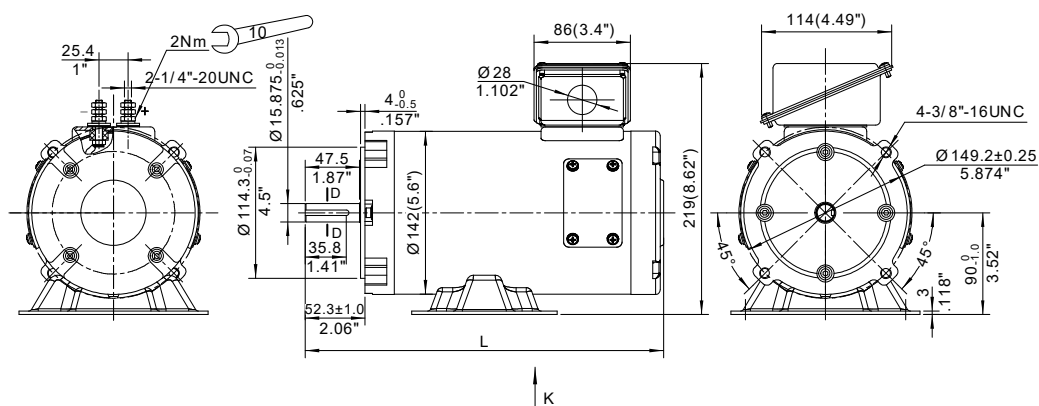


Technical Characteristics

- Insulation Class: H
- Protection Degree: IP67
- Rotation: Reversible
- Frame: NEMA 56C
- Operation Temperature: -30°C ~40°C

Type	Nominal Power	Rated Voltage	Speed	Duty	Excitation	Characteristic	Dimension	Weight
							L	
ZY142-375-17-1	1/2HP	12V	1650RPM			Fig. F1	313 (12.4")	16.8kg (37lb)
ZY142-560-17-1	3/4HP	12V	1850RPM	SI	Permanent Magnets	Fig. F2	348 (13.7")	18.5kg (41lb)
ZY142-560-17-2	3/4HP	24V	1850RPM			Fig. F3		

Outline Dimensions



K View

